

Product data sheet

Specifications



General purpose relay, SE Relays, 788R, DPDT, 10A, 240 VAC, Quick terminal, clear cover with LED, lock push button

788XBXR4L-240A

! Discontinued

! Discontinued on: Oct 22, 2024

Product availability: Non-Stock - Not normally stocked in distribution facility

Main

| | |
|---------------------|---------------------------------|
| Product Type | Plug-in electromechanical relay |
| Rated Line Current | 10 A |
| Switch Function | DPDT |
| Contact Composition | 2 NC + 2 NO |

Complementary

| | |
|--------------------------------|---|
| Rated Operational Current | 10 A at 277 V AC (on resistive load) conforming to UL 10 A at 30 V DC (on resistive load) conforming to UL 10 A at 250 V AC-1 (1 NO) (on resistive load) conforming to IEC 10 A at 28 V DC-1 (1 NO) (on resistive load) conforming to IEC 5 A at 250 V AC-1 (1 NC) (on resistive load) conforming to IEC 5 A at 28 V DC-1 (1 NC) (on resistive load) conforming to IEC |
| [Ue] rated operational voltage | 240 V AC |
| Maximum Switching Voltage | 300 V UL 300 V CSA 250 V IEC |
| Control Type | Lockable test button |
| Mounting Support | plug-in |
| Local Signalling | LED Cover Flag |
| Contacts Material | Silver alloy, gold flashed |
| Rated Power in HP | 0.33 HP 120 V AC 1 HP 277 V AC |
| Connections Terminals | blade terminal |
| Control Circuit Voltage Limits | 0.85...1.1 Un AC |
| Resistance | 6800 Ohm |
| Average Consumption | 3 VA |
| Vibration Resistance | +/- 1 mm 10...35 Hz in operation 3 gn 35...150 Hz in operation |
| Operating Time | 20 ms |
| Drop-out Voltage Threshold | >= 0.15 Uc AC >= 0.1 Uc DC |
| Minimum Switching Current | 10 mA 17 V DC |
| Product Weight | 2.9 oz (83 g) |

Price is "List Price" and may be subject to a trade discount – check with your local distributor or retailer for actual price.

| | |
|---------------|------------------|
| Height | 2.09 in (53 mm) |
| Width | 1.4 in (35 mm) |
| Depth | 1.4 in (35.5 mm) |

Environment

| | |
|--|---|
| Shock Resistance | 10 gn |
| Ambient Air Temperature for Operation | -40...131 °F (-40...55 °C) |
| Ambient Air Temperature for Storage | -40...185 °F (-40...85 °C) |
| Product Certifications | UL CSA CE EAC |
| Dielectric Strength | 2500 V AC between coil and contact 2000 V AC between poles 1500 V AC between contacts |
| Electrical Durability | 100000 cycles |
| Mechanical Durability | 5000000 cycles |
| IP Degree of Protection | IP40 |

Ordering and shipping details

| | |
|--------------------------|---------------|
| Category | US10CP221127 |
| Discount Schedule | 0CP2 |
| GTIN | 3606480779879 |
| Returnability | No |
| Country of origin | CN |

Packing Units

| | |
|-------------------------------------|-------------------|
| Unit Type of Package 1 | PCE |
| Number of Units in Package 1 | 1 |
| Package 1 Height | 1.41 in (3.57 cm) |
| Package 1 Width | 1.38 in (3.5 cm) |
| Package 1 Length | 2.09 in (5.3 cm) |
| Package 1 Weight | 2.9 oz (83 g) |

Environmental Data

Schneider Electric aims to achieve Net Zero status by 2050 through supply chain partnerships, lower impact materials, and circularity via our ongoing "Use Better, Use Longer, Use Again" campaign to extend product lifetimes and recyclability.

[Environmental Data explained >](#)

[How we assess product sustainability >](#)

Use Better

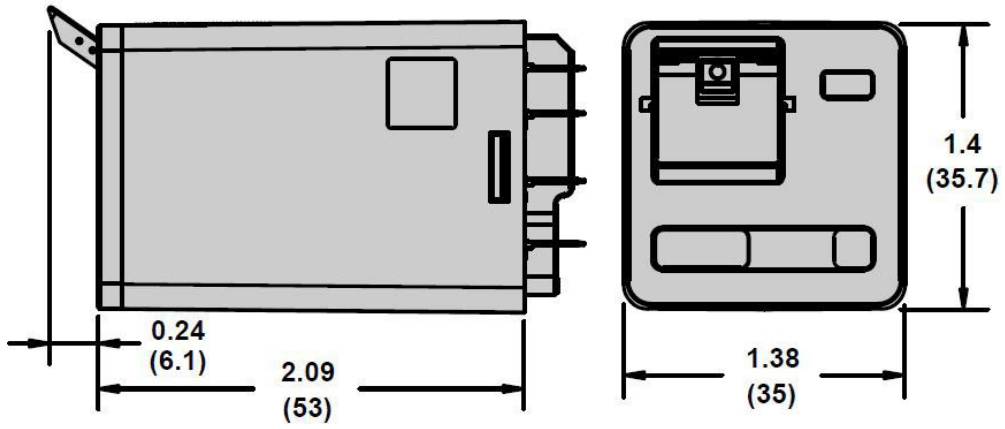
|  Materials and Substances | |
|---|---|
| Packaging without single use plastic | Yes |
| EU RoHS Directive | Pro-active compliance (Product out of EU RoHS legal scope) |
| REACH Regulation | REACH Declaration |
| California proposition 65 | WARNING: This product can expose you to chemicals including: Nickel compounds, which is known to the State of California to cause cancer, and Di-isodecyl phthalate (DIDP), which is known to the State of California to cause birth defects or other reproductive harm. For more information go to www.P65Warnings.ca.gov |

Use Again

|  Repack and remanufacture | |
|--|--|
| WEEE |  The product must be disposed on European Union markets following specific waste collection and never end up in rubbish bins. |

Dimensions Drawings

Approximate Dimensions



Connections and Schema

Connections and Wiring Diagrams

